

DN 15 TO 700
PN MAX. 40 BAR



BALL VALVES

Gulový kohúty horúcovodný SBV-F LD



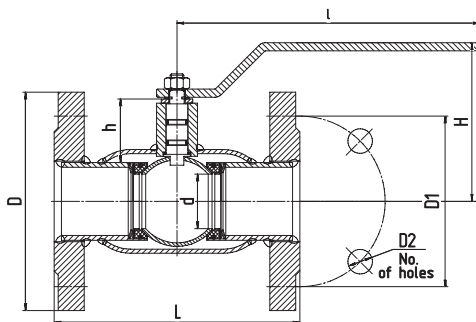
prirubovy

teleso: uhlíková ocel
oska: nerez AISI 420
gula: nerez
DN 15-32: AISI 420;
DN 40-65: AISI 304;
DN 80-700: AISI 409
tesnenie gule: PTFE+C
tesnenie osky: PTFE
tesnenie osky: EPDM, FVMQ(viton)



Design of
DN 15-300

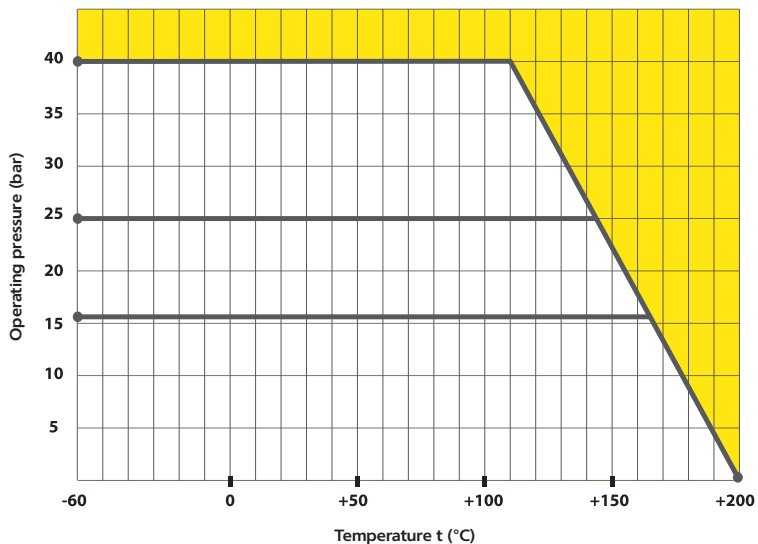
- DN 15-250:paka
- DN 150-250:ručna prevodovka - na vyziadanie
- DN 300-700: ručna prevodovka



TECHNICAL DATA

| DN | PN | CODE | d | D | D1 | D2 | No. of holes | h | H | L | L*** | Weight, kg |
|------|----|----------|-----|-----|-----|----|--------------|-----|-----|-------|------|---------------|
| 15 | 40 | 1159402 | 10 | 95 | 65 | 14 | 4 | 23 | 98 | 159 | 130 | 1,8 |
| 20 | 40 | 1209402 | 15 | 105 | 75 | 14 | 4 | 21 | 98 | 159 | 150 | 2,2 |
| 25 | 40 | 1259402 | 18 | 115 | 85 | 14 | 4 | 21 | 101 | 159 | 160 | 2,7 |
| 32 | 40 | 1329402 | 24 | 140 | 100 | 18 | 4 | 23 | 106 | 159 | 180 | 3,7 |
| 40 | 40 | 1409402 | 30 | 150 | 110 | 18 | 4 | 39 | 108 | 217 | 200 | 4,6 |
| 50 | 40 | 1509402 | 40 | 165 | 125 | 18 | 4 | 43 | 116 | 217 | 230 | 6,1 |
| 65 | 16 | 1659162 | 49 | 185 | 145 | 18 | 8 | 39 | 121 | 217 | 270 | 8,4 |
| 65 | 25 | 1659252 | 49 | 185 | 145 | 18 | 8 | 39 | 121 | 217 | 270 | 8,4 |
| 80 | 16 | 1809162 | 63 | 200 | 160 | 18 | 8 | 61 | 155 | 314,5 | 280 | 11,2 |
| 80 | 25 | 1809252 | 63 | 200 | 160 | 18 | 8 | 61 | 155 | 314,5 | 280 | 12 |
| 100 | 16 | 11009162 | 75 | 220 | 180 | 18 | 8 | 61 | 165 | 314,5 | 300 | 15 |
| 100 | 25 | 11009252 | 75 | 235 | 190 | 22 | 8 | 61 | 165 | 314,5 | 300 | 15 |
| 125 | 16 | 11259162 | 100 | 250 | 210 | 18 | 8 | 73 | 195 | 525 | 325 | 27,7 |
| 125 | 25 | 11259252 | 100 | 270 | 220 | 26 | 8 | 73 | 195 | 525 | 325 | 28,5 |
| 150 | 16 | 11509162 | 125 | 285 | 240 | 22 | 8 | 77 | 210 | 525 | 350 | 36 |
| 150 | 25 | 11509252 | 125 | 300 | 250 | 26 | 8 | 77 | 210 | 525 | 350 | 37 |
| 200 | 16 | 12009162 | 148 | 340 | 295 | 22 | 12 | 67 | 230 | 625 | 400 | 56 |
| 200 | 25 | 12009252 | 148 | 360 | 310 | 26 | 12 | 67 | 230 | 625 | 400 | 57 |
| 250 | 16 | 12509162 | 200 | 405 | 355 | 26 | 12 | 80 | 275 | 625 | 530 | 83 |
| 250 | 25 | 12509252 | 200 | 425 | 370 | 30 | 12 | 80 | 275 | 625 | 530 | 85 |
| 300* | 16 | 13009162 | 240 | 460 | 410 | 26 | 12 | 167 | - | - | 750 | 155 |
| 300* | 25 | 13009252 | 240 | 485 | 430 | 30 | 16 | 167 | - | - | 750 | 155 |
| 350* | 16 | 13509162 | 300 | 520 | 470 | 26 | 16 | 195 | - | - | 750 | 276 |
| 350* | 25 | 13509252 | 300 | 555 | 490 | 33 | 16 | 195 | - | - | 750 | 276 |
| 400* | 16 | 14009162 | 300 | 580 | 525 | 30 | 16 | 170 | - | - | 880 | 340 |
| 400* | 25 | 14009252 | 300 | 620 | 550 | 36 | 16 | 170 | - | - | 880 | 340 |
| 500* | 16 | 15009162 | 390 | 715 | 650 | 33 | 20 | 170 | - | - | 990 | 610 |
| 500* | 25 | 15009252 | 390 | 730 | 660 | 36 | 20 | 170 | - | - | 990 | 610 |
| 600* | 16 | 16009162 | 500 | 840 | 770 | 36 | 20 | 214 | - | - | 1173 | 900 (1030)** |
| 600* | 25 | 16009252 | 500 | 845 | 770 | 39 | 20 | 214 | - | - | 1173 | 920 (1050)** |
| 700* | 16 | 17009162 | 600 | 910 | 840 | 36 | 24 | 273 | - | - | 1370 | 1160 (1290)** |
| 700* | 25 | 17009252 | 600 | 960 | 875 | 42 | 24 | 273 | - | - | 1370 | 1245 (1375)** |

DIAGRAM



| DN | Reduced bore valves | Full bore valves |
|-----|---------------------|------------------|
| 15 | 8 | 14 |
| 20 | 14 | 23 |
| 25 | 23 | 39 |
| 32 | 39 | 61 |
| 40 | 61 | 103 |
| 50 | 103 | 176 |
| 65 | 176 | 281 |
| 80 | 281 | 441 |
| 100 | 441 | 830 |
| 125 | 830 | 1 150 |
| 150 | 1 150 | 1 727 |
| 200 | 1 727 | 3 200 |
| 250 | 3 200 | 4 416 |
| 300 | 4 416 | 9 931 |
| 350 | 9 931 | - |
| 400 | 11 735 | 18 700 |
| 500 | 18 700 | 32 720 |
| 600 | 32 720 | 42 784 |
| 700 | 42 784 | - |

prietok v m³/hod pri teplote vody 15-25°C