

## Filter nerezový závitový PN40



Velkosti DN 1/4" to 2"

**Ends :** Female - Female BSP

**Min Temperature :** - 20°C

**Max Temperature :** + 200°C

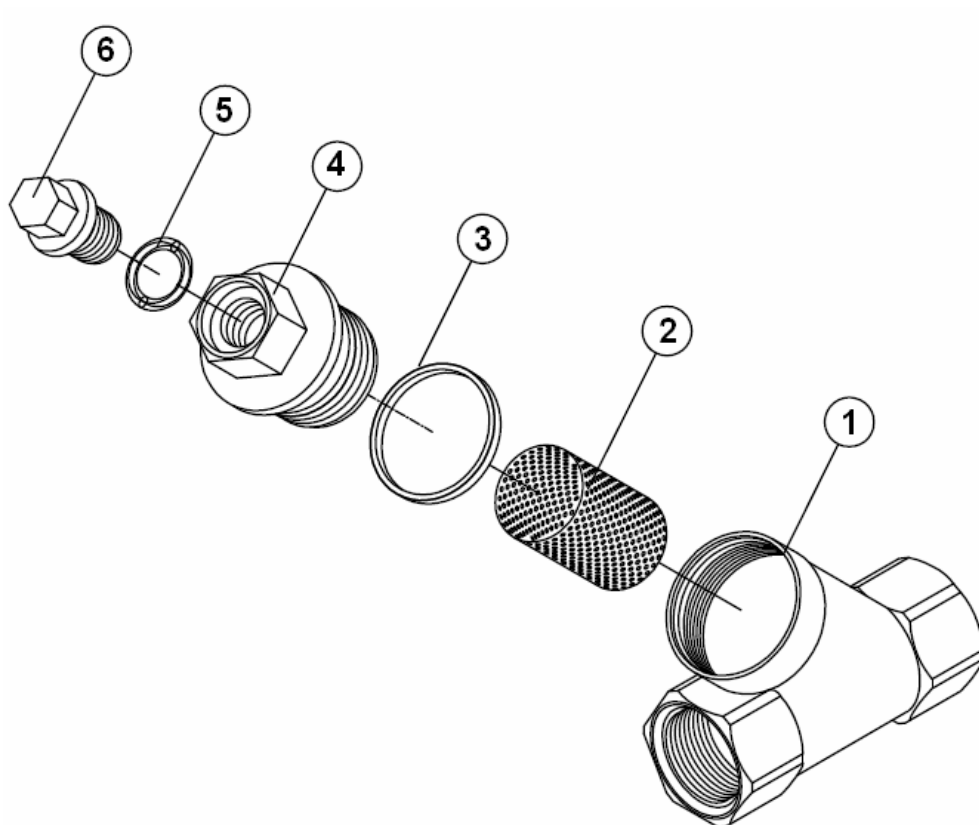
**Max Pressure :** 40 Bars

**Specifications :** With draining cap

Removable stainless steel filter

**Materials :** Stainless steel

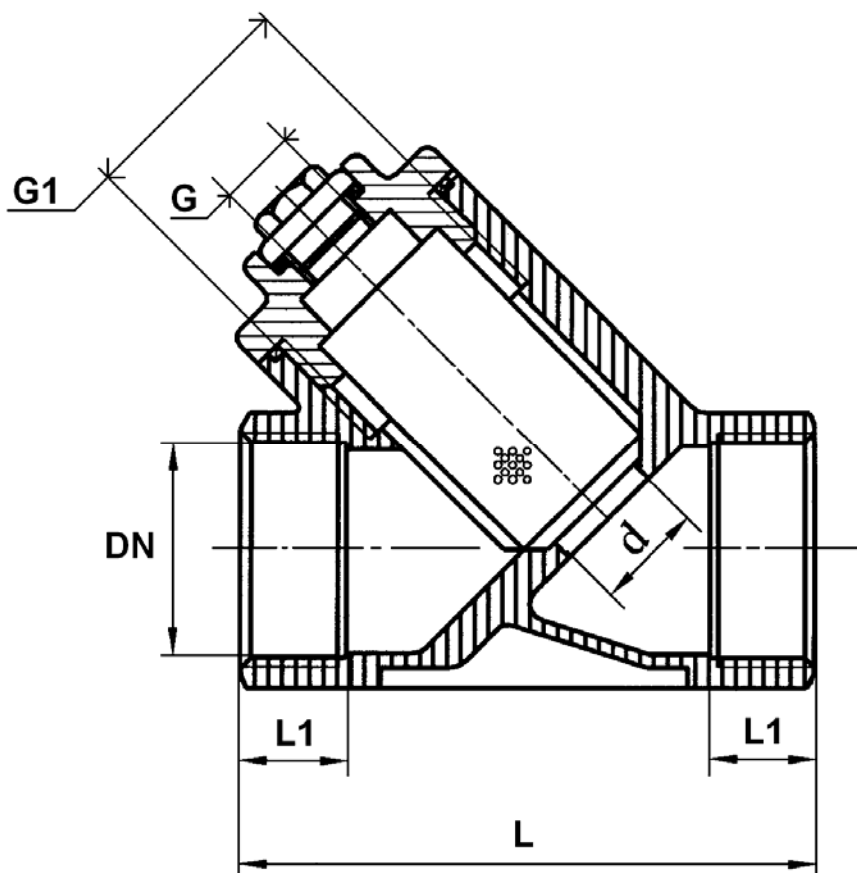
**MATERIALS :**



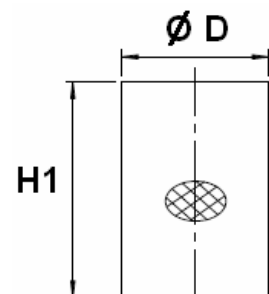
Item	Designation	Materials
1	Body	ASTM A351 CF8M
2	Filter	SS 304
3	Body gasket	PTFE
4	Bonnet	ASTM A351 CF8M
5	Cap gasket	PTFE
6	Cap	ASTM A351 CF8M

zátkä ý.6 je dodávaná výhradne na objednávku.

**SIZE ( in mm ) :**



**Filter size :**



REF.	DN	1/4"	3/8"	1/2"	3/4"	1"	1"1/4	1"1/2	2"
230	L	64	64	64	80	89	106.5	118	139
	L1	12	12	13	14.5	16.5	19	19	23
	Ø d	10.5	12.5	15	20	25	32	38	50
	G	1/4"	1/4"	1/4"	1/4"	3/8"	1/2"	1/2"	3/4"
	G1	23.8 x 1.5	23,8 x 1.5	23,8 x 1.5	29,5 x 1.5	39.8 x 1.5	41,8 x 1.5	49,8 x 1.5	49,8 x 1.5
	H1	28.5	28.5	28.5	40	49	54	63.5	76
	Ø D	19	19	19	23	32	36	44	54
	Weight ( Kg )	0.23	0.21	0.21	0.35	0.61	0.89	1.11	1.63

**STANDARDS :**

- Fabrication according to ISO 9001
- DIRECTIVE 97/23/CE : CE N° 0035  
Risk Category II
- Threaded BSP cylindric female ends according to ISO 228/1

**INSTALLATION POSITIONS :**

**Horizontal position**



**Vertical position ( descendand fluid )**

